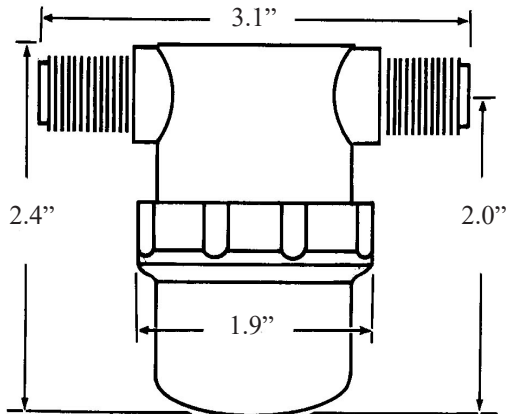


# LOW PROFILE



FILTER AREA - 3.95 SQ IN

### HOW TO ORDER

1. TOP	MPT(RVM) 1/4(44)	FPT(RVLF) 3/8(66)	HB(RVB) 1/2(88)
	POLY(P)		NYLON(N)
2. GASKET	EPDM(E)	VITON(V)	BUNA(B)
3. SCREEN	20M(20)	40M(40)	80M(80)
4. BOWL	POLY(P)	NYLON(N)	CLEAR(C)

EXAMPLE: RVM 44 P E 40 P

## POLYPRO (L.P. Standard Assy)

ListEA  
**\$ 9.74**

1. POLY TOP (RVM)
2. EPDM OR BUNA GASKET (RVM44GB OR E)
3. 20,40, OR 80 MESH SCREEN (RVM44 \_)
4. CLEAR BOWL (RVM44BC)

### OPTIONS

- |                                    |          |
|------------------------------------|----------|
| 1. FEMALE TOPS (RVLF)              | add 1.14 |
| 1. BARB TOP (RVB)                  | add .64  |
| 2. VITON GASKET (RVM44GV)          | add 1.29 |
| 3. 20, 40, OR 80 MESH CAGED SCREEN | add .73  |
| 3. 250 MESH CAGED SCREEN           | add 1.55 |
| 4. POLY BOWL (RVM44BP)             | add .28  |

## NYLON (L.P. Standard Assy)

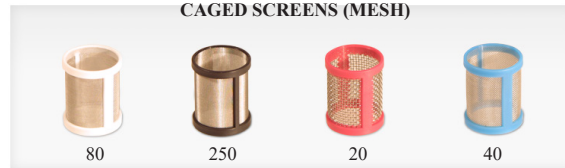
ListEA  
**\$ 9.74**

1. NYLON TOP (RVM)
2. EPDM OR BUNA GASKET (RVM44GB OR E)
3. 20,40, OR 80 MESH SCREEN (RVM44 \_)
4. CLEAR BOWL (RVM44BC)

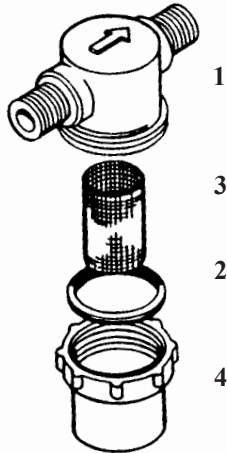
### OPTIONS

- |                                    |          |
|------------------------------------|----------|
| 1. FEMALE TOPS (RVLF)              | add 2.79 |
| 1. BARB TOP (RVB)                  | add .64  |
| 2. VITON GASKET (RVM44GV)          | add 1.29 |
| 3. 20, 40, OR 80 MESH CAGED SCREEN | add .73  |
| 3. 250 MESH CAGED SCREEN           | add 1.55 |
| 4. NYLON BOWL (RVM44BN)            | add 1.37 |

### CAGED SCREENS (MESH)



### LOW PROFILE STRAINER PARTS

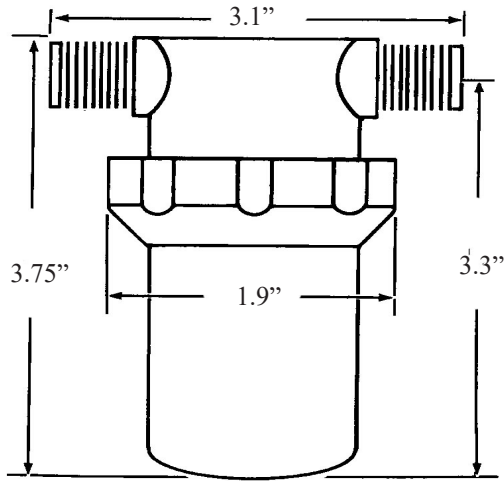


COMPONENT(1)	SIZE/PORT	NYLON #	LIST/EA	POLYPRO #	LIST/EA	
TOP	1/8" MPT	RVM22TN	3.98	RVM22TP	3.98	
TOP	1/4" MPT	RVM44TN	3.98	RVM44TP	3.98	
TOP	3/8" MPT	RVM66TN	3.98	RVM66TP	3.98	
TOP	1/2" MPT	RVM88TN	3.98	RVM88TP	3.98	
TOP	1/4" HB	RVB44TN	4.62	RVB44TP	4.62	
TOP	3/8" HB	RVB66TN	4.62	RVB66TP	4.62	
TOP	1/2" HB	RVB88TN	4.62	RVB88TP	4.62	
TOP	1/8" FPT	RVLF22TN	6.77	RVLF22TP	5.12	
TOP	1/4" FPT	RVLF44TN	6.77	RVLF44TP	5.12	
TOP	3/8" FPT	RVLF66TN	6.77	RVLF66TP	5.12	
TOP	1/2" FPT	RVLF88TN	6.77	RVLF88TP	5.12	
COMPONENT(2)	MATERIAL	TEMP MIN	COLOR	PART #	LIST/EA	
GASKET	BUNA	0 F	BLACK	RVM44GB	.45	
GASKET	EPDM	-40 F	RED	RVM44GE	.45	
GASKET	VITON	10 F	GREEN	RVM44GV	1.74	
COMPONENT(3)	MATERIAL	MESH*	MICRON+	ID" x L"	PART #	LIST/EA
SCREEN	ST STEEL	20	915	.94 x 1.34	RVM4420	1.88
SCREEN	ST STEEL CAGED	20	915	"	RVM4420C	2.61
SCREEN	ST STEEL	40	480	"	RVM4440	1.88
SCREEN	ST STEEL CAGED	40	480	"	RVM4440C	2.62
SCREEN	ST STEEL	80	178	"	RVM4480	1.88
SCREEN	ST STEEL CAGED	80	178	"	RVM4480C	2.61
SCREEN	ST STEEL	100	80	"	RVM44100	4.94
SCREEN	ST STEEL	250	40	"	RVM44250	4.98
SCREEN	ST STEEL CAGED	250	40	"	RVM44250C	3.43
SCREEN	POLYETH	90			RVM4490PE	3.34
COMPONENT(4)	MATERIAL	PART #	LIST/EA			
BOWL	NYLON	RVM44BN	4.80			
BOWL	POLYPRO	RVM44BP	3.71			
BOWL	CLEAR NYLON	RVM44BC	3.43			

\*Mesh is defined as the number of wires per linear inch measured from center of wire to center of wire.

+Micron is defined as one thousandth of a millimeter.

# MINI STRAINER



FILTER AREA - 7.71 SQ IN

## HOW TO ORDER

1. TOP	MPT(RVM) 1/4(445)	FPT(RVLF) 3/8(665)	HB(RVB) 1/2(885)
	POLY(P) NYLON(N)		
2. GASKET	EPDM(E)	VITON(V)	BUNA(B)
3. SCREEN	20M(20)	40M(40)	80M(80)
4. BOWL	POLY(P)	NYLON(N)	CLEAR(C)

EXAMPLE: RVM 445 P E 40 P

## POLYPRO (Standard Assy)

ListEA

\$ 13.44

1. POLY TOP (RVM)
2. EPDM OR BUNA GASKET (RVM44GB OR E)
3. 20 OR 40 MESH SCREEN (RVM445 \_\_)
4. CLEAR BOWL (RVM445BC)

### OPTIONS

- |                                   |          |
|-----------------------------------|----------|
| 1. FEMALE TOPS (RVLF)             | add 1.14 |
| 1. BARB TOP (RVB)                 | add .64  |
| 2. VITON GASKET (RVM44GV)         | add 1.29 |
| 3. 80 MESH STAINLESS SCREEN       | add .51  |
| 3. 20,40, OR 80 MESH CAGED SCREEN | add .38  |
| 3. 250 MESH CAGED SCREEN          | add 1.42 |
| 4. POLY BOWL (RVM445BP)           | add .87  |

## NYLON (Standard Assy)

ListEA

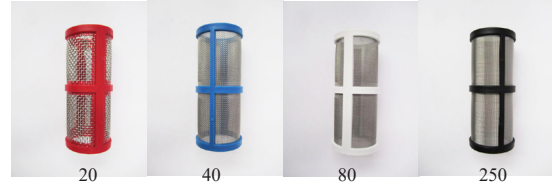
\$ 16.23

1. NYLON TOP (RVM)
2. EPDM OR BUNA GASKET (RVM44GB OR E)
3. 20 OR 40 MESH SCREEN (RVM445 \_\_)
4. CLEAR BOWL (RVM445BC)

### OPTIONS

- |                                   |          |
|-----------------------------------|----------|
| 1. FEMALE TOPS (RVLF)             | add 2.79 |
| 1. BARB TOP (RVB)                 | add .64  |
| 2. VITON GASKET (RVM44GV)         | add 1.29 |
| 3. 80 MESH STAINLESS SCREEN       | add .51  |
| 3. 20,40, OR 80 MESH CAGED SCREEN | add .38  |
| 3. 250 MESH CAGED SCREEN          | add 1.42 |
| 4. NYLON BOWL (RVM445BN)          | add 1.19 |

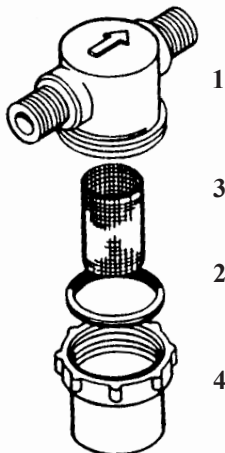
### CAGED SCREENS (MESH)



MINI STRAINER PARTS						
COMPONENT(1)	SIZE/PORT	NYLON #	LIST/EA	POLYPRO #	LIST/EA	
TOP	1/8" MPT	RVM22TN	3.98	RVM22TP	3.98	
TOP	1/4" MPT	RVM44TN	3.98	RVM44TP	3.98	
TOP	3/8" MPT	RVM66TN	3.98	RVM66TP	3.98	
TOP	1/2" MPT	RVM88TN	3.98	RVM88TP	3.98	
TOP	1/4" HB	RVB44TN	4.62	RVB44TP	4.62	
TOP	3/8" HB	RVB66TN	4.62	RVB66TP	4.62	
TOP	1/2" HB	RVB88TN	4.62	RVB88TP	4.62	
TOP	1/8" FPT	RVLF22TN	6.77	RVLF22TP	5.12	
TOP	1/4" FPT	RVLF44TN	6.77	RVLF44TP	5.12	
TOP	3/8" FPT	RVLF66TN	6.77	RVLF66TP	5.12	
TOP	1/2" FPT	RVLF88TN	6.77	RVLF88TP	5.12	
COMPONENT(2)	MATERIAL	TEMP MIN	COLOR	PART #	LIST/EA	
GASKET	BUNA	0 F	BLACK	RVM44GB	.45	
GASKET	EPDM	-40 F	RED	RVM44GE	.45	
GASKET	VITON	10 F	GREEN	RVM44GV	1.74	
COMPONENT(3)	MATERIAL	MESH*	MICRON+	ID" x L"	PART #	LIST/EA
SCREEN	ST STEEL	20	915	.94 x 2.63	RVM44520	2.65
SCREEN	ST STEEL CAGED	20	915	"	RVM44520C	3.03
SCREEN	ST STEEL	40	480	"	RVM44540	2.65
SCREEN	ST STEEL CAGED	40	480	"	RVM44540C	3.03
SCREEN	ST STEEL	80	178	"	RVM44580	3.16
SCREEN	ST STEEL CAGED	80	178	"	RVM44580C	3.05
SCREEN	ST STEEL	250	40	"	RVM445250	13.44
SCREEN	ST STEEL CAGED	250	40	"	RVM445250C	4.07
COMPONENT(4)	MATERIAL	PART #	LIST/EA			
BOWL	NYLON	RVM445BN	7.54			
BOWL	POLYPRO	RVM445BP	7.22			
BOWL	CLEAR NYLON	RVM445BC	6.35			

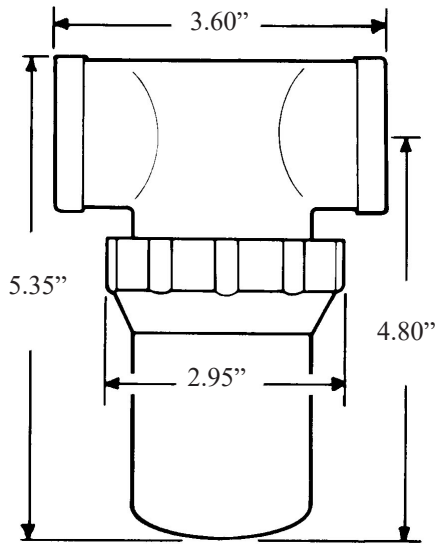
\*Mesh is defined as the number of wires per linear inch measured from center of wire to center of wire.

+Micron is defined as one thousandth of a millimeter.



MINI STRAINER

# INTERMEDIATE STRAINER



FILTER AREA - 17.33 SQ IN

### HOW TO ORDER

1. TOP	FPT(RVF)	TAB(RVT-POLY ONLY)		
	3/8"(66)	1/2"(88)	3/4"(1212)	
	POLY(P)		NYLON(N)	
2. GASKET	EPDM(E)	VITON(V)	BUNA(B)	
3. SCREEN	20M(20)	40M(40)	80M(80)	
4. BOWL	POLY(P)	NYLON(N)	CLEAR(C)	

EXAMPLE: RVF 88 N V 40 C

## POLYPRO (Standard Assembly) List/EA

\$ 15.77

1. POLY TOP (RVF )
2. EPDM GASKET(RVF66GE)
3. 20 OR 40 MESH SCREEN(RVF66\_ )
4. POLY BOWL(RVF66BP)

### OPTIONS

- |                                      |          |
|--------------------------------------|----------|
| 1. TAB TOP (RVT)                     | add .86  |
| 2. BUNA GASKET (RVF66GB)             | add .36  |
| 2. VITON GASKET (RVF66GV)            | add 3.06 |
| 3. 80 MESH SCREEN (RVF6680S)         | add .78  |
| 3. 20,40, OR 80 MESH CAGED SCREEN    | add .23  |
| 3. 100 MESH SCREEN (RVF66100)        | add 1.97 |
| 3. 250 MESH CAGED SCREEN (RVF66250C) | add 2.62 |
| 3. CAGED POLY SCREEN (RVF66_P)       | add 4.63 |
| 4. CLEAR NYLON BOWL (RVF66BC)        | add 7.49 |

## NYLON (Standard Assembly) List/EA

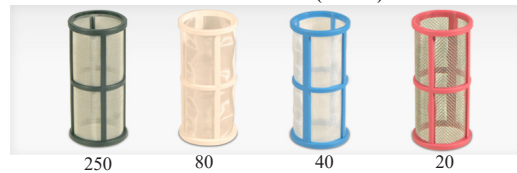
\$ 22.12

1. NYLON TOP (RVF )
2. EPDM OR BUNA GASKET(RVF66GB OR E)
3. 20 OR 40 MESH SCREEN(RVF66\_ )
4. NYLON BOWL (RVF66BN)

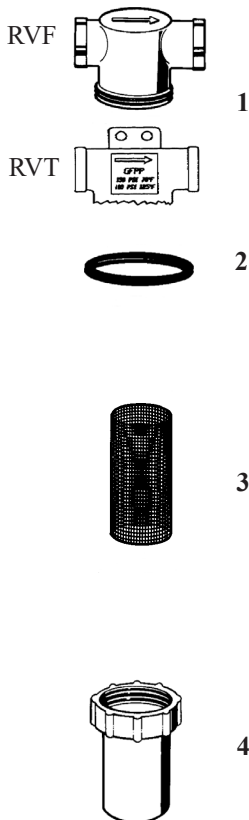
### OPTIONS

- |                                      |          |
|--------------------------------------|----------|
| 2. BUNA GASKET (RVF66GB)             | add .36  |
| 2. VITON GASKET (RVF66GV)            | add 3.06 |
| 3. 80 MESH SCREEN (RVF6680S)         | add .78  |
| 3. 20, 40, OR 80 MESH CAGED SCREEN   | add .23  |
| 3. 100 MESH SCREEN (RVF66100)        | add 1.97 |
| 3. 250 MESH CAGED SCREEN (RVF66250C) | add 2.62 |
| 4. CLEAR NYLON BOWL (RVF66BC)        | add 5.25 |

### CAGED SCREENS (MESH)



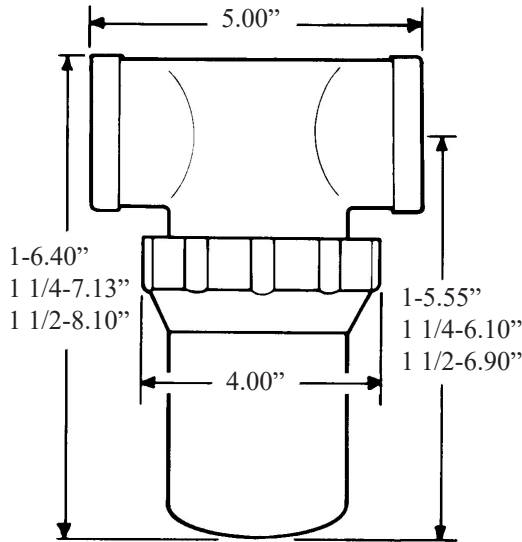
### INTERMEDIATE STRAINER PARTS



COMPONENT(1)	SIZE/PORT	NYLON #	PRICE	POLYPRO #	LIST/EA	
TOP	3/8" FPT	RVF66TN	9.69	RVF66TPN	5.58	
TOP	1/2" FPT	RVF88TN	9.69	RVF88TPN	5.58	
TOP	3/4" FPT	RVF1212TN	9.69	RVF1212TPN	5.58	
TOP	1" FPT	RVF1616TN*	9.69	RVF1616TP*	5.58	
TOP	3/8" FPT TAB			RVT66TP	6.45	
TOP	1/2" FPT TAB			RVT88TP	6.45	
TOP	3/4" FPT TAB			RVT1212TP	6.45	
COMPONENT(2)	MATERIAL	TEMP MIN	COLOR	PART #	LIST/EA	
GASKET	BUNA	0 F	BLACK	RVF66GB	.96	
GASKET	EPDM	-40 F	RED	RVF66GE	.60	
GASKET	VITON	10 F	GREEN	RVF66GV	3.66	
COMPONENT(3)	MATERIAL	MESH*	MICRON+	ID" x L"	PART #	LIST/EA
SCREEN	ST STEEL	20	915	1.49 x 3.75	RVF6620S	3.56
SCREEN	ST STEEL	40	480	"	RVF6640S	3.56
SCREEN	ST STEEL	80	178	"	RVF6680S	4.34
SCREEN	ST STEEL	100	80	"	RVF66100	5.53
SCREEN	ST STEEL	250	40	"	RVF66250	16.86
SCREEN	POLYETHYLENE		90	1.00 x 3.52	RVF6690PE	6.54
SCREEN	CAGED ST	20	915	1.49 x 3.75	RVF6620C	3.79
SCREEN	CAGED ST	40	480	"	RVF6640C	3.79
SCREEN	CAGED ST	80	178	"	RVF6680C	3.79
SCREEN	CAGED ST	250	40	"	RVF66250C	6.18
SCREEN	CAGED POLY	20	915	"	RVF6620P	7.96
SCREEN	CAGED POLY	40	480	"	RVF6640P	7.96
SCREEN	CAGED POLY	80	178	"	RVF6680P	7.96
*Mesh is defined as the number of wires per linear inch measured from center of wire to center of wire.						
+Micron is defined as one thousandth of a millimeter						
COMPONENT(4)	MATERIAL	COLOR	PART #	LIST/EA		
BOWL	NYLON	WHITE	RVF66BN	8.28		
BOWL	POLYPRO	BLACK	RVF66BP	6.04		
BOWL	CLEAR NYLON	CLEAR	RVF66BC	13.53		

INT. STRAINERS

# LARGE STRAINER



### FILTER AREA:

1" - 29.73 SQ IN  
 1 1/4" - 31.84 SQ IN  
 1 1/2" - 38.27 SQ IN

### HOW TO ORDER

1. TOP FPT=RVF  
 1=1616 1 1/4=2020 1 1/2=2424  
 POLY=P NYLON=N  
 2.GASKET EPDM=E VITON=V BUNA=B  
 3.SCREEN 20M=20 40M=40 80M=80  
 4.BOWL POLY=P NYLON=N CLEAR=C  
**EXAMPLE: RVF 1616 N V 40 N**  
**PLEASE NOTE: ALL LARGE STRAINERS USE THE SAME GASKET & BOWL**

## POLYPRO (Std Assembly)

List/EA

- |                         |                 |
|-------------------------|-----------------|
| 1. POLY TOP             | 1" \$ 30.66     |
| 2. EPDM OR BUNA GASKET  | 1 1/4" \$ 31.21 |
| 3. 20 OR 40 MESH SCREEN | 1 1/2" \$ 31.67 |
| 4. POLY BOWL(RVF1616BP) |                 |

### OPTIONS

- |   |           |
|---|-----------|
| 2. VITON GASKET (RVF1616GV)                 | add 4.06  |
| 3. 20, 40, OR 80 MESH CAGED SCREEN (1")     | add 2.38  |
| 3. 20, 40, OR 80 MESH CAGED SCREEN (1 1/4") | add 2.06  |
| 3. 20, 40, OR 80 MESH CAGED SCREEN (1 1/2") | add 1.83  |
| 4. CLEAR NYLON BOWL (RVF1616BC)             | add 14.94 |

## NYLON (Std Assembly)

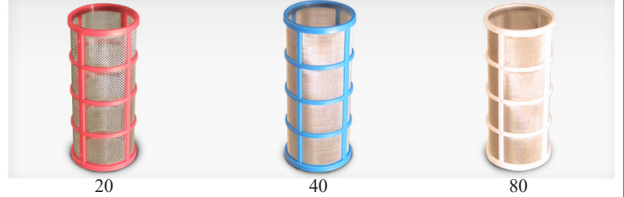
List/EA

- |                          |                 |
|--------------------------|-----------------|
| 1. NYLON TOP             | 1" \$ 42.54     |
| 2. EPDM OR BUNA GASKET   | 1 1/4" \$ 43.09 |
| 3. 20 OR 40 MESH SCREEN  | 1 1/2" \$ 43.54 |
| 4. NYLON BOWL(RVF1616BN) |                 |

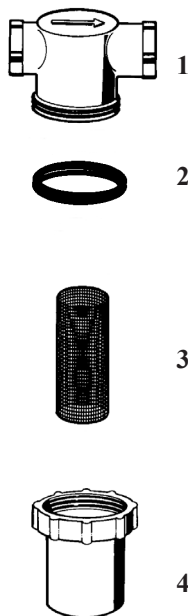
### OPTIONS

- |   |          |
|---|----------|
| 2. VITON GASKET (RVF1616GV)                 | add 4.06 |
| 3. 20, 40, OR 80 MESH CAGED SCREEN (1")     | add 2.38 |
| 3. 20, 40, OR 80 MESH CAGED SCREEN (1 1/4") | add 2.06 |
| 3. 20, 40, OR 80 MESH CAGED SCREEN (1/12")  | add 1.83 |
| 4. CLEAR NYLON BOWL (RVF1616BC)             | add 8.50 |

### CAGED SCREENS (MESH)



## LARGE STRAINER PARTS



COMPONENT(1)	SIZE/PORT	NYLON #	PRICE	POLYPRO #	LIST/EA	
TOP	1" FPT	RVF1616TN	20.38	RVF1616TP	14.94	
TOP	1 1/4" FPT	RVF2020TN	20.38	RVF2020TP	14.94	
TOP	1 1/2" FPT	RVF2424TN	20.38	RVF2424TP	14.94	
COMPONENT(2)	MATERIAL	TEMP MIN	COLOR	PART #	LIST/EA	
GASKET	BUNA	0 F	BLACK	RVF1616GB	.92	
GASKET	EPDM	-40 F	RED	RVF1616GE	.92	
GASKET	VITON	10 F	GREEN	RVF1616GV	4.98	
COMPONENT(3)	MATERIAL	MESH*	MICRON+	ID" x L"	PART #	LIST/EA
SCREEN-1"	ST STEEL	20	915	2.24 x 4.24	RVF161620	4.89
SCREEN-1"	ST STEEL CAGED	20	915	"	RVF161620C	7.27
SCREEN-1"	ST STEEL	40	480	"	RVF161640	4.89
SCREEN-1"	ST STEEL CAGED	40	480	"	RVF161640C	7.27
SCREEN-1"	ST STEEL CAGED	80	178	"	RVF161680C	7.27
SCREEN-1 1/4"	ST STEEL	20	915	2.24 x 4.54	RVF202020	5.44
SCREEN-1 1/4"	ST STEEL CAGED	20	915	"	RVF202020C	7.50
SCREEN-1 1/4"	ST STEEL	40	480	"	RVF202040	5.44
SCREEN-1 1/4"	ST STEEL CAGED	40	480	"	RVF202040C	7.50
SCREEN-1 1/4"	ST STEEL CAGED	80	178	"	RVF202080C	7.50
SCREEN-1 1/2"	ST STEEL	20	915	2.24 x 5.45	RVF242420	5.90
SCREEN-1 1/2"	ST STEEL CAGED	20	915	"	RVF242420C	7.73
SCREEN-1 1/2"	ST STEEL	40	480	"	RVF242440	5.90
SCREEN-1 1/2"	ST STEEL CAGED	40	480	"	RVF242440C	7.73
SCREEN-1 1/2"	ST STEEL CAGED	80	178	"	RVF242480C	7.73
*Mesh is defined as the number of wires per linear inch measured from center of wire to center of wire.						
+Micron is defined as one thousandth of a millimeter						
COMPONENT(4)	MATERIAL	COLOR	PART #	LIST/EA		
BOWL	NYLON	WHITE	RVF1616BN	16.36		
BOWL	POLYPRO	BLACK	RVF1616BP	9.92		
BOWL	CLEAR NYLON	CLEAR	RVF1616BC	24.86		



**SUCTION LINE STRAINERS**  
 MOLDED PVC BASE  
 ST. STEEL SCREENS

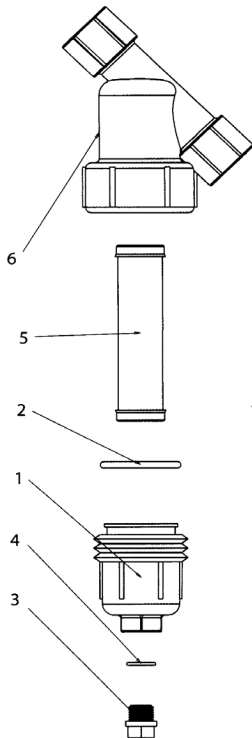
<i>Fpt</i>	<i>Mesh</i>	<i>Part #</i>	<i>List/E</i>
1/4	20	RV663-20	5.08
1/4	40	RV663	5.08
1/4	80	RV663-80	5.08
1/4	100	RV663-100	5.44
3/8	40	RV6631	5.60
3/8	80	RV6631-80	5.60
1/2	40	RV6632	6.68
1/2	80	RV6632-80	6.68
3/4	40	RV6633	7.31
1	40	RV6634	10.62
1 1/2	40	RV6636	12.54



**Y STRAINERS**  
 POLYPROPYLENE BODY  
 EPDM GASKET  
 (VITON AVAILABLE)  
 ST. STEEL SCREENS  
 FPT THREADS

<i>Fpt</i>	<i>Part #</i>	<i>List/E</i>
1/2	YST88PE_P	61.61
3/4	YST1212PE_P	61.61
1	YST1616PE_P	61.61
1 1/4	YST2020PE_P	61.61
1 1/2	YST2424PE_P	123.26
2	YST3232PE_P	123.26
3	YST4848PE_P	821.48

Please specify screen when ordering. See parts list below for sizes.



**Y STRAINER PARTS**

COMPONENT(1,2,6)		SIZE		PART #	LIST/E
BODY, CAP & EPDM GASKET		1/2		YST88-B/C	30.35
BODY, CAP & EPDM GASKET		3/4		YST1212-B/C	30.35
BODY, CAP & EPDM GASKET		1		YST1616-B/C	30.35
BODY, CAP & EPDM GASKET		1 1/4		YST2020-B/C	30.35
BODY, CAP & EPDM GASKET		1 1/2		YST2424-B/C	68.04
BODY, CAP & EPDM GASKET		2		YST3232-B/C	68.04
BODY, CAP & EPDM GASKET		3		YST4848-B/C	611.26
COMPONENT(2) MATERIAL		SIZE		PART #	LIST/E
GASKET	VITON	1/2 & 3/4		YST88-GV	9.70
GASKET	VITON	1 & 1 1/4		YST1616-GV	11.17
GASKET	VITON	1 1/2 & 2		YST2424-GV	22.13
GASKET	VITON	3		YST4848-GV	58.87
COMPONENT(5) MAT		SIZE	MESH MICRON	PART #	LIST/E
SCREEN	ST STEEL	1/2 & 3/4	20 841	YST188-20	39.48
SCREEN	"	"	40 446	YST88-40	35.87
SCREEN	"	"	80 177	YST88-80	39.48
SCREEN	ST STEEL	1 & 1 1/4	20 841	YST1616-20	39.48
SCREEN	"	"	40 446	YST1616-40	39.48
SCREEN	"	"	80 177	YST1616-80	35.87
SCREEN	ST STEEL	1 1/2 & 2	6 3360	YST3232-6	78.09
SCREEN	"	"	8 2380	YST3232-8	77.13
SCREEN	"	"	12 1680	YST3232-12	71.00
SCREEN	"	"	20 841	YST3232-20	71.00
SCREEN	"	"	30 595	YST3232-30	71.00
SCREEN	"	"	50 297	YST3232-50	71.00
SCREEN	"	"	80 177	YST3232-80	71.00
SCREEN	"	"	120 116	YST3232-120	78.09
SCREEN	POLYPRO	"	20 841	YST3232-20P	71.00
SCREEN	POLYPRO	"	50 297	YST3232-50P	71.00
SCREEN	ST STEEL	3	4	YST4848-4	235.13
SCREEN	"	"	8 2380	YST4848-8	235.13
SCREEN	"	"	12 1680	YST4848-12	235.13
SCREEN	"	"	20 841	YST4848-20	213.74
SCREEN	"	"	50 297	YST4848-50	213.74