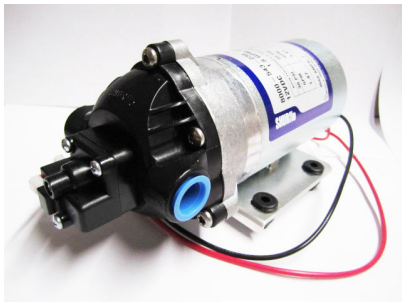


PUMPS

PUMP#	VOLTS	GPM/PSI	STYLE	VALVES	DIAPHRAGM	LIST/EA
8000543236	12V	1.8/60	SWITCH	VITON	SANTOPRENE	231.48
8007543836	12V	1.8/60	SW/FUSE	VITON	SANTOPRENE	248.46
8006543250	12V	1.8/45	BYPASS	VITON	SANTOPRENE	225.31
8006591250	12V	.18/45	BYPASS	VITON	SANTOPRENE	231.48
8005233236	115V	1.4/60	SWITCH	EPDM	SANTOPRENE	270.06
8000933250	115V	1.4/45	BYPASS	EPDM	SANTOPRENE	270.06
2088343135	12V	3.0/45	SWITCH	VITON	SANTOPRENE	276.23
2088514144	12V	4.0/45	SWITCH	SANTO	SANTOPRENE	396.60
2088514500	12V	4.0/45	BYPASS	SANTO	SANTOPRENE	375.00
2088594154	115V	3.3/45	SWITCH	SANTO	SANTOPRENE	317.90
50591311D011	12V	5.3/60	SWITCH	VITON	SANTOPRENE	465.00
50593611D011	115V	5.3/60	BYPASS	VITON	SANTOPRENE	465.00
DHP2	12V	7.0/45	SWITCH	VITON	SANTOPRENE	697.53

8000
SERIES

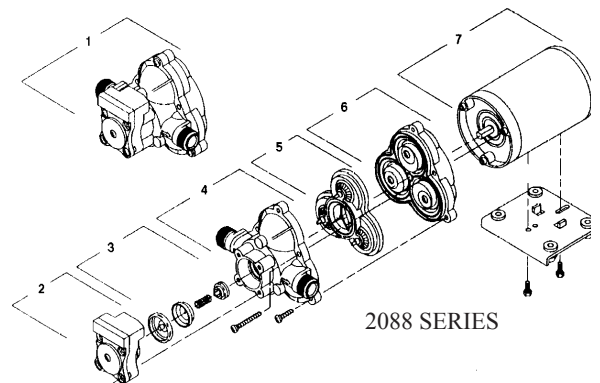
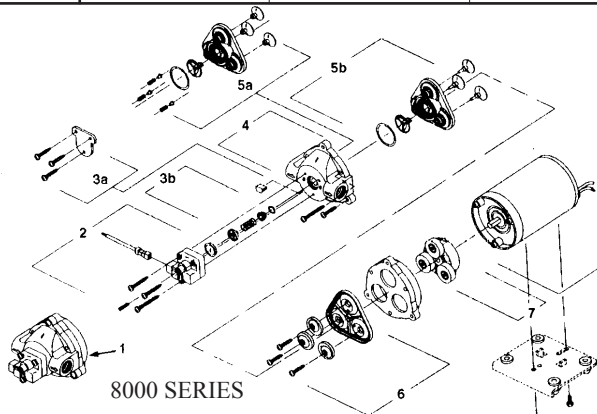


2088
SERIES



REPLACEMENT PARTS

PUMP#	SWITCH KIT(2)		CHECK VALVE(3)		HOUSING(4)		VALVES-VITON(5)		VALVES-EPDM(5)		DIAPHRAGM(6)	
	PART#	LIST	PART#	LIST	PART#	LIST	PART#	LIST	PART#	LIST	PART#	LIST
8000543236	9437505	46.05	9437405	18.89	9437900	32.27	9439005	67.52	9439006	32.02	9439506	31.88
8007543236	9437505	46.05	9437405	18.89	9437900	32.27	9439005	67.52	9439006	32.02	9439506	31.88
8005233236	9437505	46.05	9437405	18.89	9437900	32.27	9439005	67.52	9439006	32.02	9439506	31.88
8006543250			9437405	18.89	9437900	32.27	9439109	67.52	9439106	38.97	9439506	31.88
8006591250			9437405	18.89	9437900	32.27	9439109	67.52	9439106	38.97	9439506	31.88
8000933250			9437405	18.89	9437900	32.27	9439109	67.52	9439106	38.97	9439506	31.88
2088343135	9423055	52.08	9423705	38.56	9423130	23.23	9423205	81.79			9423803	58.64
2088514144	9423055	52.08	9423705	38.56	9423130	23.23	9423205	81.79			9423803	58.64
2088594154	9423055	52.08	9423705	38.56	9423130	23.23	9423205	81.79			9423803	58.64
2088514500			9423705	38.56	9423130	23.23	9423205	81.79			9423803	58.64



SWIVEL-STRAIGHT

HB	Part #	List
3/8	807100	2.10
1/2	807000	2.10
5/8	815401	2.10
3/4	815601	2.10

SWIVEL-ELBOW

HB	Part #	List
3/8	806000	2.10
1/2	803400	2.10
5/8	815501	2.10
3/4	815701	2.10



**GAUGES
1/4" LM
BRASS
INTERNALS**

<i>Psi</i>	<i>Size</i>	<i>Dry #</i>	<i>List/E</i>	<i>Liq #</i>	<i>List/E</i>	<i>NH3#</i>	<i>List/E</i>
0-15	2 1/2	SG15	10.10	GG15	27.60		
0-30	2 1/2	SG30	10.10	GG30	27.60		
0-60	2 1/2	SG60	10.10	GG60	27.60	AG60	26.75
0-100	2 1/2	SG100	10.10	GG100	27.60		
0-160	2 1/2	SG160	10.10	GG160	27.60	AG160	26.75
0-200	2 1/2	SG200	10.10	GG200	27.60		
0-300	2 1/2	SG300	10.10	GG300	27.60		
0-400	2 1/2	SG400	10.10	GG400	27.60	AG400	26.75
0-600	2 1/2	SG600	10.10	GG600	27.60		
0-1000	2 1/2	SG1000	10.10	GG1000	27.60		
0-2000	2 1/2	SG2000	10.10	GG2000	27.60		
0-3000	2 1/2	SG3000	10.10	GG3000	27.60		
0-5000	2 1/2	SG5000	10.10	GG5000	27.60		
0-60	4	SG604	22.15	GG604	87.00		
0-100	4	SG1004	22.15	GG1004	87.00		
0-200	4	SG2004	22.15	GG2004	87.00		
Pigtail Protector		PGP	44.21				



BULKHEAD FITTINGS

<i>Fpt</i>	<i>Hole</i>	<i>Part#</i>	<i>List/E</i>	<i>Gasket</i>	<i>List/E</i>
1/2	1 3/8	BF8	14.79	BF8G	4.30
3/4	1 3/8	BF12	14.79	BF8G	4.30
1	1 3/4	BF16	19.26	BF16G	5.37
1 1/4	2	BF20	20.27	BF20G	6.12
1 1/2	3	BF24	28.92	BF24G	9.28
2	3	BF32	27.84	BF24G	9.28
3	4 1/2	BF48	72.60	BF48G	15.25

Replacement Gaskets

20% GLASS FILLED POLYPROPYLENE WITH SANTROPENE GASKET



**NYLON
TIE STRAPS
BLACK UV
RESISTANT**

<i>Length</i>	<i>Width</i>	<i>Part#</i>	<i>List/E</i>
3 3/4	.090	NS4BUV	.06
6	.135	NS6BUV	.08
8 1/4	.135	NS8BUV	.14
11 1/4	.190	NS12BUV	.37
14 1/4	.190	NS14BUV	.77
17 1/2	.310	NS17BUV	1.08
21 1/2	.310	NS21BUV	1.23
28	.310	NS28BUV	1.47
36 1/2	.360	NS36BUV	1.84



EZT024

<i>Desc</i>	<i>Part#</i>	<i>List/E</i>
16 Gal	EZT016	395.39
24 Gal	EZT024	419.99

16 & 24 Gallon tank designed for ATV's
Wrap-around design allows for a low CG
Complete drainage from twin sumps
Easy mounting & dismounting of sprayer
because controls and booms are mounted to tank,
not ATV rack



**WORM DRIVE
CLAMPS**
(All St Steel)



**T-BOLT
CLAMPS**
(St. Steel
Band & Bolt)



**PLASTIC
CLAMPS**
-Black Nylon
-Double Teeth

Max"	Min"	Part#		Max"	Min"	Part#		Max"	Min"	Part#					
5/8	7/32	SSC4	1.26	1.87	1.62	TSSC20	13.59	.276	.220	SCA	.59				
11/16	7/16	SSC5	1.26	2.06	1.81	TSSC24	13.59	.323	.256	SCAA	.59				
7/8	5/16	SSC6	1.26	2.18	1.93	TSSC24A	13.59	.433	.358	SCBB	.60				
1	7/16	SSC8	1.74	2.50	2.18	TSSC32	13.59	.500	.413	SCC	.62				
1 1/4	9/16	SSC12-N	1.99	2.62	2.31	TSSC32A	13.59	.583	.480	SCD	.64				
NOTE: Above have 1/3" band				2.81	2.50	TSSC32B	13.59	.646	.524	SCE	.76				
				3.18	2.87	TSSC32C	13.59	.717	.594	SCF	.76				
				3.62	3.31	TSSC48	13.59	.795	.673	SCG	.77				
1	7/16	SSC8-HD	1.57	3.75	3.43	TSSC48A	13.59	.870	.732	SCH	.78				
1 1/4	9/16	SSC12	1.74	4.56	4.25	TSSC64	20.66	.949	.803	SCJ	.84				
1 1/2	11/16	SSC16	1.79	4.76	4.38	TSSC64A	34.45	1.031	.886	SCK	1.05				
1 3/4	3/4	SSC20	1.89	4.94	4.56	TSSC64B	34.45	1.130	.976	SCL	.94				
2	1 1/16	SSC24	2.03	MEASURE OUTSIDE DIAMETER OF HOSE FOR PROPER CLAMP SIZE								1.220	1.055	SCM	.94
2 1/4	1 5/16	SSC28	2.06									1.319	1.150	SCN	1.27
2 1/2	1 9/16	SSC32	2.17									1.437	1.283	SCP	1.68
2 3/4	1 13/16	SSC36	2.27									1.551	1.382	SCQ	1.70
3	2 1/6	SSC40	3.35									1.665	1.496	SCR	1.35
3 1/2	2 9/16	SSC48	3.20									1.772	1.610	SCS	1.76
4 1/2	2 1/2	SSC64	3.63									1.913	1.744	SCT	1.76
NOTE: Above have 1/2" band												2.028	1.843	SCU	1.94
												2.146	1.965	SCV	1.47
												2.283	2.091	SCW	2.03
												2.398	2.161	SCX	2.12

CLAMPS / STRAPS

EVA TUBING				CLEAR VINYL TUBING (CVTB=Braided)				EPDM RUBBER HOSE			
Id	Ft/Roll	Part#	List/	Id	Ft/Roll	Part#	List/	Id	Ft/Roll	Part#	List/
1/4	1000	EVA44	.81	1/4	100	CVT44	1.00	1/4	700	SB44	1.04
3/8	500	EVA66	1.03	3/8	100	CVT66	1.22	3/8	700	SB66	1.19
1/2	300	EVA88	1.27	1/2	100	CVT88	1.52	1/2	700	SB88	1.76
5/8	200	EVA1010	1.61	5/8	100	CVT1010	1.83	5/8	700	SB1010	2.33
3/4	200	EVA1212	1.78	3/4	100	CVT1212	2.13	3/4	700	SB1212	2.66
1	125	EVA1616	2.64	1	100	CVT1616	2.74	SB-Single Braid-150 PSI Rating			
NOTE: All have 1/8" wall thickness				1/4	300	CVTB44	1.05	3/8	700	TB66	1.76
3/8	300	EVAR6	1.88	3/8	300	CVTB66	1.45	1/2	700	TB88	2.42
1/2	300	EVAR8	2.34	1/2	300	CVTB88	1.68	5/8	700	TB1010	3.32
3/4	200	EVAR12	3.10	5/8	300	CVTB1010	2.21	3/4	700	TB1212	3.37
1	200	EVAR16	5.89	3/4	300	CVTB1212	3.26	TB-Double Braid-300 PSI Rating			
Reinforced EVA				1	200	CVTB1616	4.50				

SEALANTS								
Teflon Tape	Part#	List/E	Liq Tef	Part#	List/E	Rectorseal	Part#	List/E
1/4 X 520	1452	1.42	2oz	LT2	12.14	8oz	RSTB	46.40
1/2 X 260	1226	1.28	4oz	LT4	22.37	2oz	RSTB-2	15.27
1/2 X 520	1252	1.65	8oz	LT8	40.01	8oz	RS-21	49.06
3/4 X 520	3452	2.60						