

PUMPS

| PUMP# | VOLTS | GPM/PSI | STYLE | VALVES | DIAPHRAGM | LIST/EA |
|--------------|-------|---------|---------|--------|------------|---------|
| 8000543236 | 12V | 1.8/60 | SWITCH | VITON | SANTOPRENE | 303.74 |
| 8007543836 | 12V | 1.8/60 | SW/FUSE | VITON | SANTOPRENE | 342.64 |
| 8006543250 | 12V | 1.8/45 | BYPASS | VITON | SANTOPRENE | 304.26 |
| 8006591250 | 12V | .18/45 | BYPASS | VITON | SANTOPRENE | 306.13 |
| 8005233236 | 115V | 1.4/60 | SWITCH | EPDM | SANTOPRENE | 412.47 |
| 8000933250 | 115V | 1.4/45 | BYPASS | EPDM | SANTOPRENE | 412.47 |
| 2088343135 | 12V | 3.0/45 | SWITCH | VITON | SANTOPRENE | 390.00 |
| 2088514144 | 12V | 4.0/45 | SWITCH | SANTO | SANTOPRENE | 546.89 |
| 2088514500 | 12V | 4.0/45 | BYPASS | SANTO | SANTOPRENE | 507.62 |
| 2088594154 | 115V | 3.3/45 | SWITCH | SANTO | SANTOPRENE | 440.09 |
| 50591311D011 | 12V | 5.3/60 | SWITCH | VITON | SANTOPRENE | 578.09 |
| 50593611D011 | 12V | 5.3/60 | BYPASS | VITON | SANTOPRENE | 578.09 |
| DHP2 | 12V | 7.0/45 | SWITCH | VITON | SANTOPRENE | 956.98 |

8000
SERIES



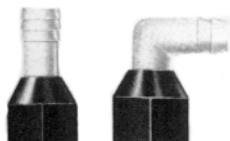
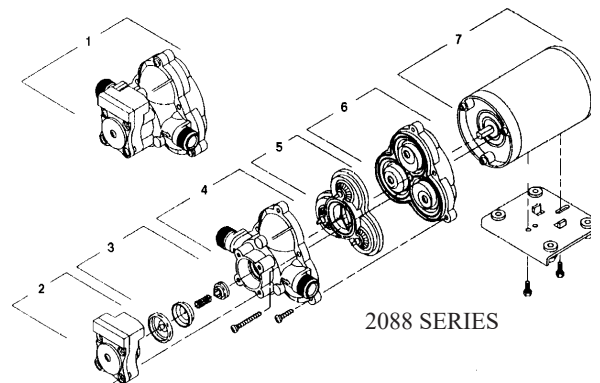
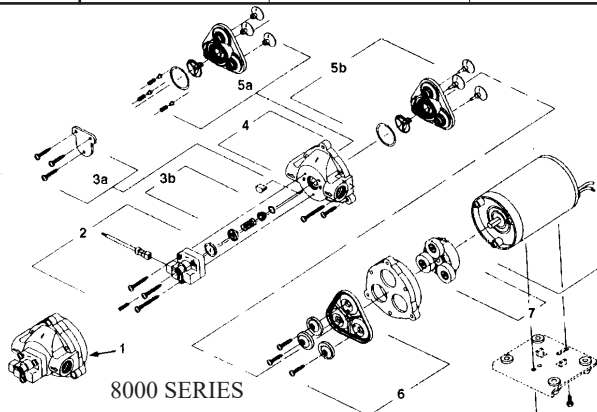
2088
SERIES



PUMPS / TUBING

REPLACEMENT PARTS

| PUMP# | SWITCH KIT(2) | | CHECK VALVE(3) | | HOUSING(4) | | VALVES-VITON(5) | | VALVES-EPDM(5) | | DIAPHRAGM(6) | |
|------------|---------------|-------|----------------|-------|------------|-------|-----------------|--------|----------------|-------|--------------|-------|
| | PART# | LIST | PART# | LIST | PART# | LIST | PART# | LIST | PART# | LIST | PART# | LIST |
| 8000543236 | 9437505 | 88.30 | 9437405 | 32.04 | 9437900 | 54.17 | 9439005 | 103.11 | 9439006 | 51.83 | 9439506 | 53.49 |
| 8007543236 | 9437505 | 88.30 | 9437405 | 32.04 | 9437900 | 54.17 | 9439005 | 103.11 | 9439006 | 51.83 | 9439506 | 53.49 |
| 8005233236 | 9437505 | 88.30 | 9437405 | 32.04 | 9437900 | 54.17 | 9439005 | 103.11 | 9439006 | 51.83 | 9439506 | 53.49 |
| 8006543250 | | | 9437405 | 32.04 | 9437900 | 54.17 | 9439109 | 130.89 | 9439106 | 63.11 | 9439506 | 53.49 |
| 8006591250 | | | 9437405 | 32.04 | 9437900 | 54.17 | 9439109 | 130.89 | 9439106 | 63.11 | 9439506 | 53.49 |
| 8000933250 | | | 9437405 | 32.04 | 9437900 | 54.17 | 9439109 | 130.89 | 9439106 | 63.11 | 9439506 | 53.49 |
| 2088343135 | 9423055 | 86.47 | 9423705 | 63.02 | 9423130 | 40.89 | 9423205 | 139.06 | | | 9423803 | 95.53 |
| 2088514144 | 9423055 | 86.47 | 9423705 | 63.02 | 9423130 | 40.89 | 9423205 | 139.06 | | | 9423803 | 95.53 |
| 2088594154 | 9423055 | 86.47 | 9423705 | 63.02 | 9423130 | 40.89 | 9423205 | 139.06 | | | 9423803 | 95.53 |
| 2088514500 | | | 9423705 | 63.02 | 9423130 | 40.89 | 9423205 | 139.06 | | | 9423803 | 95.53 |



SWIVEL-STRAIGHT

| HB | Part # | List |
|-----|--------|------|
| 3/8 | 807100 | 3.08 |
| 1/2 | 807000 | 2.88 |
| 5/8 | 815401 | 5.91 |
| 3/4 | 815601 | 3.53 |

SWIVEL-ELBOW

| HB | Part # | List |
|-----|--------|------|
| 3/8 | 806000 | 2.88 |
| 1/2 | 803400 | 2.88 |
| 5/8 | 815501 | 5.02 |
| 3/4 | 815701 | 3.53 |



**GAUGES
1/4" LM
BRASS
INTERNALS**

| <i>Psi</i> | <i>Size</i> | <i>Dry #</i> | <i>List/E</i> | <i>Liq #</i> | <i>List/E</i> | <i>NH3#</i> | <i>List/E</i> |
|-------------------|-------------|--------------|---------------|--------------|---------------|-------------|---------------|
| 0-15 | 2 1/2 | SG15 | 15.75 | GG15 | 42.70 | | |
| 0-30 | 2 1/2 | SG30 | 15.75 | GG30 | 42.70 | | |
| 0-60 | 2 1/2 | SG60 | 15.75 | GG60 | 42.70 | AG60 | 39.80 |
| 0-100 | 2 1/2 | SG100 | 15.75 | GG100 | 42.70 | | |
| 0-160 | 2 1/2 | SG160 | 15.75 | GG160 | 42.70 | AG160 | 39.80 |
| 0-200 | 2 1/2 | SG200 | 15.75 | GG200 | 42.70 | | |
| 0-300 | 2 1/2 | SG300 | 15.75 | GG300 | 42.70 | | |
| 0-400 | 2 1/2 | SG400 | 15.75 | GG400 | 42.70 | AG400 | 39.80 |
| 0-600 | 2 1/2 | SG600 | 15.75 | GG600 | 42.70 | | |
| 0-1000 | 2 1/2 | SG1000 | 15.75 | GG1000 | 42.70 | | |
| 0-2000 | 2 1/2 | SG2000 | 15.75 | GG2000 | 42.70 | | |
| 0-3000 | 2 1/2 | SG3000 | 15.75 | GG3000 | 42.70 | | |
| 0-5000 | 2 1/2 | SG5000 | 15.75 | GG5000 | 42.70 | | |
| 0-60 | 4 | SG604 | 30.74 | GG604 | 124.49 | | |
| 0-100 | 4 | SG1004 | 30.74 | GG1004 | 124.49 | | |
| 0-200 | 4 | SG2004 | 30.74 | GG2004 | 124.49 | | |
| Pigtail Protector | | PGP | 64.80 | | | | |

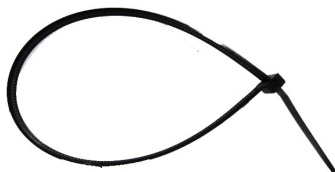
GAUGES/TANKS



BULKHEAD FITTINGS

| <i>Fpt</i> | <i>Hole</i> | <i>Part#</i> | <i>List/E</i> | <i>Gasket</i> | <i>List/E</i> |
|------------|-------------|--------------|---------------|---------------|---------------|
| 1/2 | 1 3/8 | BF8 | 20.24 | BF8G | 8.35 |
| 3/4 | 1 3/8 | BF12 | 20.24 | BF8G | 8.35 |
| 1 | 1 3/4 | BF16 | 26.35 | BF16G | 14.10 |
| 1 1/4 | 2 | BF20 | 18.95 | BF20G | 14.55 |
| 1 1/2 | 3 | BF24 | 39.57 | BF24G | 28.50 |
| 2 | 3 | BF32 | 38.10 | BF24G | 28.50 |
| 3 | 4 1/2 | BF48 | 94.21 | BF48G | 20.92 |

20% GLASS FILLED POLYPROPYLENE WITH SANTROPENE GASKET



**NYLON
TIE STRAPS
BLACK UV
RESISTANT**

| <i>Length</i> | <i>Width</i> | <i>Part#</i> | <i>List/E</i> |
|---------------|--------------|--------------|---------------|
| 3 3/4 | .090 | NS4BUV | .10 |
| 6 | .135 | NS6BUV | .11 |
| 8 1/4 | .135 | NS8BUV | .30 |
| 11 1/4 | .190 | NS12BUV | .53 |
| 14 1/4 | .190 | NS14BUV | 1.07 |
| 17 1/2 | .310 | NS17BUV | 1.49 |
| 21 1/2 | .310 | NS21BUV | 1.71 |
| 28 | .310 | NS28BUV | 2.05 |
| 36 1/2 | .360 | NS36BUV | 2.53 |



EZT024

| <i>Desc</i> | <i>Part#</i> | <i>List/E</i> |
|-------------|--------------|---------------|
| 16 Gal | EZT016 | 553.05 |
| 24 Gal | EZT024 | 587.40 |

16 & 24 Gallon tank designed for ATV's
Wrap-around design allows for a low CG
Complete drainage from twin sumps
Easy mounting & dismounting of sprayer
because controls and booms are mounted to tank,
not ATV rack